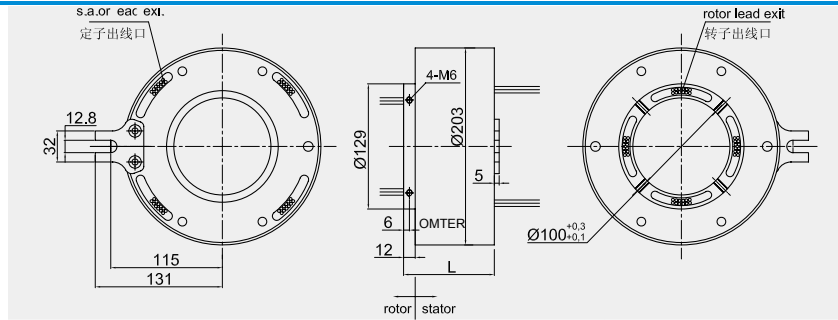


SRH100203 Series

外形尺寸 Outline Dimension



型号 Type	长度 (L=mm)	额定电流 Rated Current		总路数 Total No. of Circuits
		功率P (10A、15A或20A)	信号S (5A)	
SRH100203-6P	93.5	6	—	6
SRH100203-10S	93.5	—	10	10
SRH100203-12P	125	12	—	12
SRH100203-6P/10S	125	6	10	16
SRH100203-20S	125	—	20	20
SRH100203-18P	156.5	18	—	18
SRH100203-12P/10S	156.5	12	10	22
SRH100203-6P/20S	156.5	6	20	26
SRH100203-30S	156.5	—	30	30
SRH100203-24P	188	24	—	24
SRH100203-18P/10S	188	18	10	28
SRH100203-12P/20S	188	12	20	32
SRH100203-6P/30S	188	6	30	36
SRH100203-40S	188	—	40	40
SRH100203-30P	219.5	30	—	30
SRH100203-24P/10S	219.5	24	10	34
SRH100203-18P/20S	219.5	18	20	38
SRH100203-12P/30S	219.5	12	30	42
SRH100203-6P/40S	219.5	6	40	46
SRH100203-50S	219.5	—	50	50
SRH100203-36P	251	36	—	36
SRH100203-30P/10S	251	30	10	40
SRH100203-24P/20S	251	24	20	44
SRH100203-18P/30S	251	18	30	48
SRH100203-12P/40S	251	12	40	52
SRH100203-6P/50S	251	6	50	56
SRH100203-60S	251	—	60	60
SRH100203-42P	282.5	42	—	42
SRH100203-36P/10S	282.5	36	10	46
SRH100203-30P/20S	282.5	30	20	50
SRH100203-24P/30S	282.5	24	30	54
SRH100203-18P/40S	282.5	18	40	58
SRH100203-12P/50S	282.5	12	50	62
SRH100203-6P/60S	282.5	6	60	66
SRH100203-70S	282.5	—	70	70
SRH100203-48P	314	48	—	48
SRH100203-42P/10S	314	42	10	52
SRH100203-36P/20S	314	36	20	56
SRH100203-30P/30S	314	30	30	60
SRH100203-24P/40S	314	24	40	64
SRH100203-18P/50S	314	18	50	68
SRH100203-12P/60S	314	12	60	72
SRH100203-6P/70S	314	6	70	76
SRH100203-80S	314	—	80	80

可按客户需求定制到216通路

Max 216 circuits available on request



电气技术指标 Electrical data

参数 Specification	数值 Values	
	功率 Power	信号 Signal
额定电压 Rated Voltage	380VAC	240VAC/VDC
绝缘电阻 Insulation Resistance	$\geq 1000\Omega / 500\text{VDC}$	$\geq 500\Omega / 500\text{VDC}$
导线规格 Lead Size	AWG16镀锡铁氟龙或PVC绝缘 AWG16 tin plated, PTFE insulated or PVC	AWG22镀银铁氟龙绝缘 AWG22 silver plated, PTFE insulated
导线长度 Lead Length	标准500mm Standard 500mm	
绝缘强度 Dielectric Strength	500VAC@50Hz, 60s	
动态电阻变化值 Electrical Noise	$< 0.01\Omega$	

机械技术指标 Mechanical data

参数 Specification	数值 Values
额定转速 Rated Speed	0~500 rpm
工作温度 Working temperature	-20°C - +80°C
工作湿度 Operating Humidity	60%RH 或更高 60%RH or higher
接触材料 Contact Material	贵金属 Precious metals
壳体材料 Housing Material	工程塑料或铝合金 Engineering Plastics or Aluminum
力 距 Torque	6环产品为0.1N·M, 每增加6环加0.03N·M 0.1N·M for -6 version, 0.03N·M increased for every 6rings added
防护等级 Protection level	IP51

标准滑环导线色码表 Lead color code

色码	红RED	黄YEL	黑BLK	蓝BLU	绿GRN	白WHT	紫PUP	灰GRY	棕BRN	橙ORN	深蓝DBLU	土黄KHK
6路	1	2	3	4	5	6	-	-	-	-	-	-
12路	1	2	3	4	5	6	7	8	9	10	11	12
18路	1 13	2 14	3 15	4 16	5 17	6 18	7	8	9	10	11	12
24路	1 13	2 14	3 15	4 16	5 17	6 18	7 19	8 20	9 21	10 22	11 23	12 24
30路	1 13 25	2 14 26	3 15 27	4 16 28	5 17 29	6 18 30	7 19	8 20	9 21	10 22	11 23	12 24
36路	1 13 25	2 14 26	3 15 27	4 16 28	5 17 29	6 18 30	7 19 31	8 20 32	9 21 33	10 22 34	11 23 35	12 24 36
42路	1 13 25 37	2 14 26 38	3 15 27 39	4 16 28 40	5 17 29 41	6 18 30 42	7 19 31	8 20 32	9 21 33	10 22 34	11 23 35	12 24 36
48路	1 13 25 37	2 14 26 38	3 15 27 39	4 16 28 40	5 17 29 41	6 18 30 42	7 19 31 43	8 20 32 44	9 21 33 45	10 22 34 46	11 23 35 47	12 24 36 48