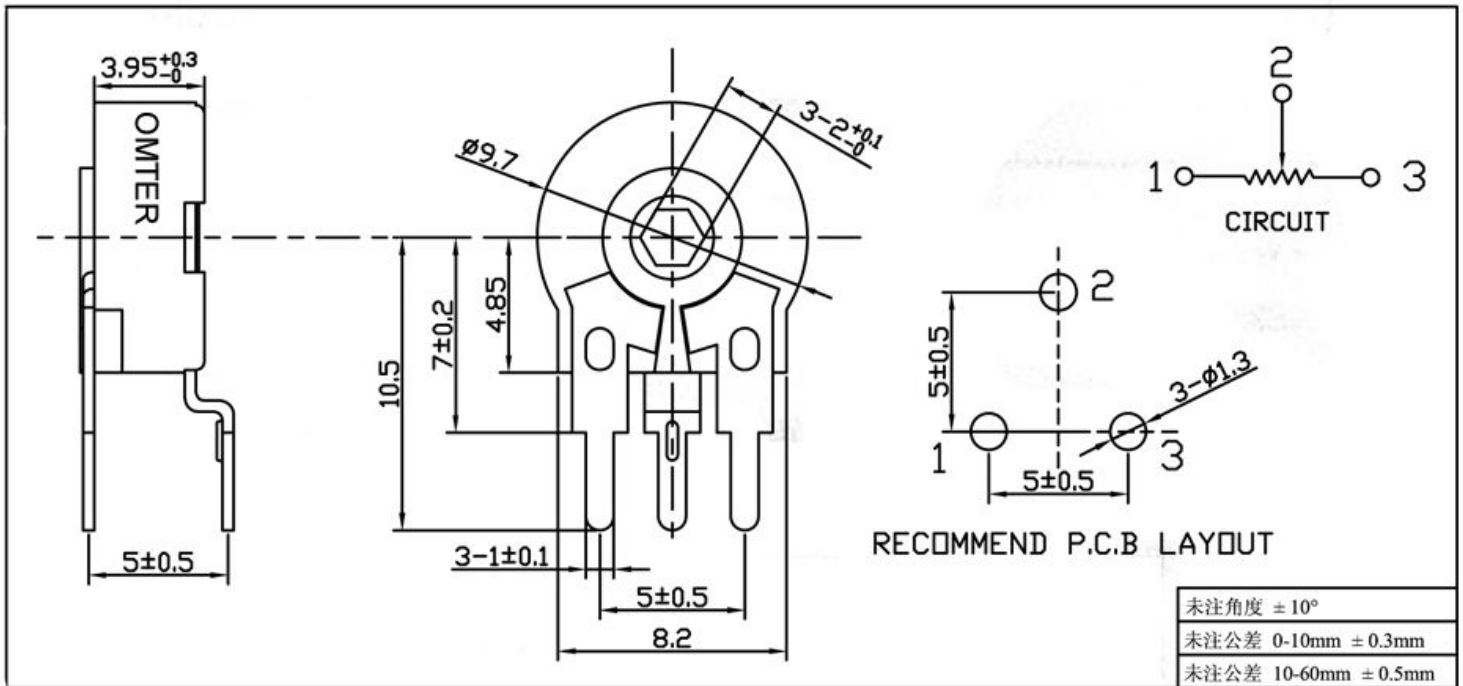


PT103H(5*5)



未注角度	±10°
未注公差 0-10mm	±0.3mm
未注公差 10-60mm	±0.5mm

Feature特点:

- ◇ 3 Pins (三端型)
- ◇ Pitch:5x5mm (端距:5x5mm)
- ◇ Horizontal Mount/Vertical Mount (横调/直立式)
- ◇ Hexagonal Slot (内六角型)
- ◇ RoHS Compliant (环保产品, 有RoHS认证)

参数特性General Specification:

标准阻值范围 Standard Resistance Range	200 Ω to 2M Ω
标准阻值公差 Resistance Tolerance	± 30% standard
残留阻值 Residual Resistance	Less than 10 Ω
阻值变化特性 Resistance Taper	B=Linear; A=logarithm; C=Anti - logarithm; B=直线; A=对数; C=反对数;
额定功率 Power Rating	B=0.15W; A,C=0.07W
使用电压 Operating Voltage	B=250VDC; AC=125VDC
旋转寿命 Rotational Life	500 cycle / 10,000 cycle
旋转角度 Rotational Angle	235° ± 5°
扭转力矩 Torque	20 to 200 g.cm
止挡强度 Stop Strength	400g.cm (Min.)
用温度范围 Operating Temperature	-25℃~ +70℃
温度特性 Temperature Characteristics	+5 ~ -30℃ change in resistance after 5 hours at 70℃
湿度特性 Humidity Characteristics	Maximum 20% change in resistance after 500 hours at 40℃ and RH 95% loaded