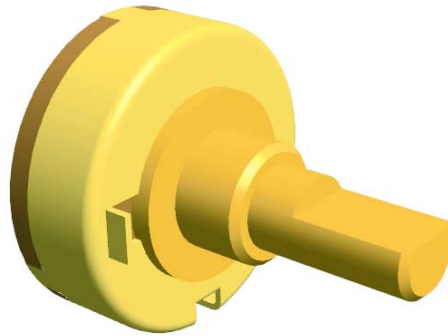


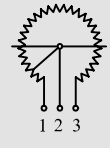
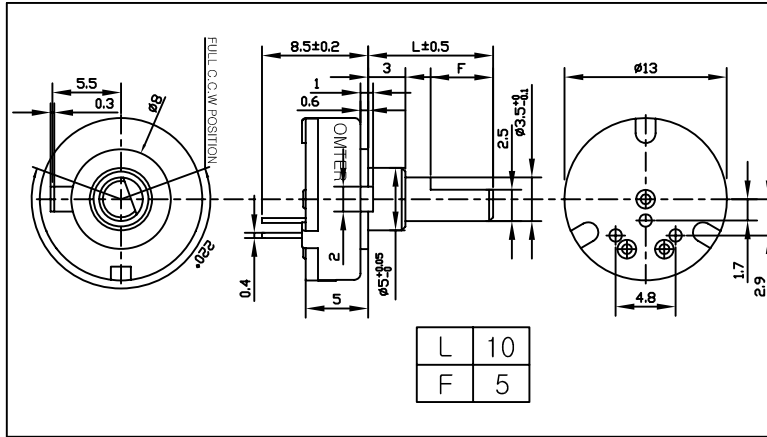
F-131K 系列 金属轴旋转型电位器
F-131K Series Metal Shaft Rotary POT.



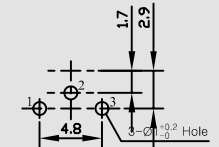
轴的类型 Shaft Style

| | | | | | | | | | | | | | | | | | | | | | | | | | | | | | | | | | | | | | | | | | | | | | | | | | | | |
|---|-----|------|------|------|------|------|------|----|----|----|---|----|--|-----|------|------|------|------|---|----|----|----|----|---|----|---|-----|-----|-----|------|------|------|------|---|-----|-----|----|-----|-----|-----|---|---|---|----|----|----|----|----|----|----|----|
| <p>F Shaft Style</p> <table border="1" data-bbox="236 1505 427 1585"> <tr> <td>L1</td> <td>8.5</td> <td>13.5</td> <td>18.5</td> </tr> <tr> <td>A</td> <td>7</td> <td>12</td> <td>12</td> </tr> <tr> <td>L</td> <td>15</td> <td>20</td> <td>20</td> </tr> </table> | L1 | 8.5 | 13.5 | 18.5 | A | 7 | 12 | 12 | L | 15 | 20 | 20 | <p>KD Shaft Style</p> <p>18 Teeth Knurl 锌合金</p> <table border="1" data-bbox="689 1536 927 1592"> <tr> <td>L1</td> <td>3.5</td> <td>8.5</td> <td>13.5</td> <td>18.5</td> </tr> <tr> <td>L</td> <td>10</td> <td>15</td> <td>20</td> <td>25</td> </tr> </table> | L1 | 3.5 | 8.5 | 13.5 | 18.5 | L | 10 | 15 | 20 | 25 | <p>KQ Shaft Style</p> <p>18 Teeth Knurl 铝合金</p> <table border="1" data-bbox="1038 1536 1465 1615"> <tr> <td>T</td> <td>2.3</td> <td>3.5</td> <td>6</td> <td>7</td> <td>8</td> <td>9.9</td> <td>12.1</td> <td>12</td> </tr> <tr> <td>M</td> <td>0.3</td> <td>0.5</td> <td>1</td> <td>1.5</td> <td>1.5</td> <td>1.5</td> <td>2</td> <td>2</td> </tr> <tr> <td>L</td> <td>10</td> <td>12</td> <td>15</td> <td>17</td> <td>18</td> <td>20</td> <td>25</td> <td>30</td> </tr> </table> | T | 2.3 | 3.5 | 6 | 7 | 8 | 9.9 | 12.1 | 12 | M | 0.3 | 0.5 | 1 | 1.5 | 1.5 | 1.5 | 2 | 2 | L | 10 | 12 | 15 | 17 | 18 | 20 | 25 | 30 |
| L1 | 8.5 | 13.5 | 18.5 | | | | | | | | | | | | | | | | | | | | | | | | | | | | | | | | | | | | | | | | | | | | | | | | |
| A | 7 | 12 | 12 | | | | | | | | | | | | | | | | | | | | | | | | | | | | | | | | | | | | | | | | | | | | | | | | |
| L | 15 | 20 | 20 | | | | | | | | | | | | | | | | | | | | | | | | | | | | | | | | | | | | | | | | | | | | | | | | |
| L1 | 3.5 | 8.5 | 13.5 | 18.5 | | | | | | | | | | | | | | | | | | | | | | | | | | | | | | | | | | | | | | | | | | | | | | | |
| L | 10 | 15 | 20 | 25 | | | | | | | | | | | | | | | | | | | | | | | | | | | | | | | | | | | | | | | | | | | | | | | |
| T | 2.3 | 3.5 | 6 | 7 | 8 | 9.9 | 12.1 | 12 | | | | | | | | | | | | | | | | | | | | | | | | | | | | | | | | | | | | | | | | | | | |
| M | 0.3 | 0.5 | 1 | 1.5 | 1.5 | 1.5 | 2 | 2 | | | | | | | | | | | | | | | | | | | | | | | | | | | | | | | | | | | | | | | | | | | |
| L | 10 | 12 | 15 | 17 | 18 | 20 | 25 | 30 | | | | | | | | | | | | | | | | | | | | | | | | | | | | | | | | | | | | | | | | | | | |
| <p>KY Shaft Style</p> <p>18 Teeth Knurl 塑胶轴</p> <table border="1" data-bbox="236 1944 474 2000"> <tr> <td>L1</td> <td>3.5</td> <td>8.5</td> <td>13.5</td> <td>18.5</td> </tr> <tr> <td>L</td> <td>10</td> <td>15</td> <td>20</td> <td>25</td> </tr> </table> | L1 | 3.5 | 8.5 | 13.5 | 18.5 | L | 10 | 15 | 20 | 25 | <p>S Shaft Style</p> <table border="1" data-bbox="632 1928 962 1984"> <tr> <td>L1</td> <td>3.5</td> <td>8.5</td> <td>13.5</td> <td>18.5</td> <td>23.5</td> <td>33.5</td> </tr> <tr> <td>L</td> <td>10</td> <td>15</td> <td>20</td> <td>25</td> <td>30</td> <td>40</td> </tr> </table> | L1 | 3.5 | 8.5 | 13.5 | 18.5 | 23.5 | 33.5 | L | 10 | 15 | 20 | 25 | 30 | 40 | <p>R Shaft Style</p> <table border="1" data-bbox="1086 1928 1420 1984"> <tr> <td>L1</td> <td>3.5</td> <td>8.5</td> <td>13.5</td> <td>18.5</td> <td>23.5</td> <td>33.5</td> </tr> <tr> <td>L</td> <td>10</td> <td>15</td> <td>20</td> <td>25</td> <td>30</td> <td>40</td> </tr> </table> | L1 | 3.5 | 8.5 | 13.5 | 18.5 | 23.5 | 33.5 | L | 10 | 15 | 20 | 25 | 30 | 40 | | | | | | | | | | | |
| L1 | 3.5 | 8.5 | 13.5 | 18.5 | | | | | | | | | | | | | | | | | | | | | | | | | | | | | | | | | | | | | | | | | | | | | | | |
| L | 10 | 15 | 20 | 25 | | | | | | | | | | | | | | | | | | | | | | | | | | | | | | | | | | | | | | | | | | | | | | | |
| L1 | 3.5 | 8.5 | 13.5 | 18.5 | 23.5 | 33.5 | | | | | | | | | | | | | | | | | | | | | | | | | | | | | | | | | | | | | | | | | | | | | |
| L | 10 | 15 | 20 | 25 | 30 | 40 | | | | | | | | | | | | | | | | | | | | | | | | | | | | | | | | | | | | | | | | | | | | | |
| L1 | 3.5 | 8.5 | 13.5 | 18.5 | 23.5 | 33.5 | | | | | | | | | | | | | | | | | | | | | | | | | | | | | | | | | | | | | | | | | | | | | |
| L | 10 | 15 | 20 | 25 | 30 | 40 | | | | | | | | | | | | | | | | | | | | | | | | | | | | | | | | | | | | | | | | | | | | | |

F-131K

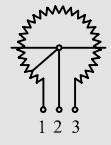
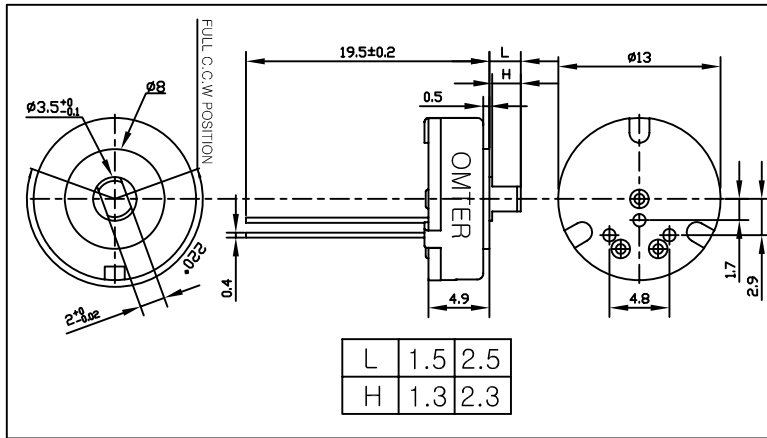
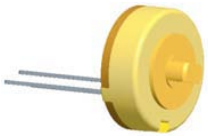


Schematic

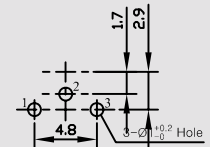


P.C.B layout Dimension

F-131K-3

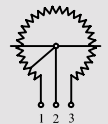
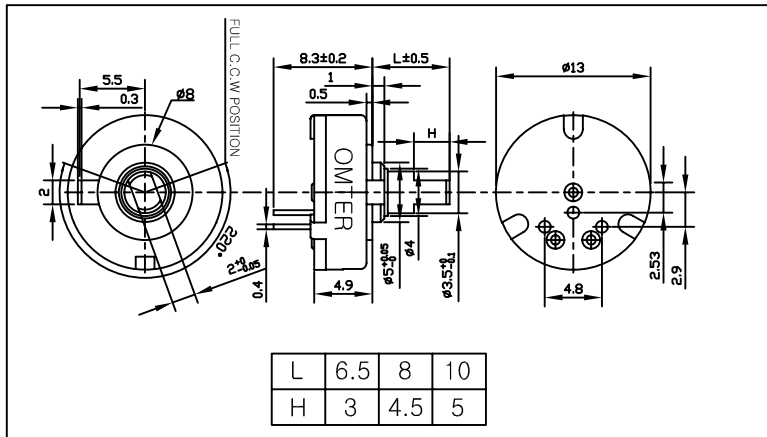


Schematic

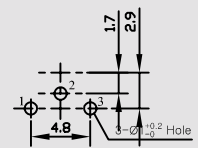


P.C.B layout Dimension

F-131K-4

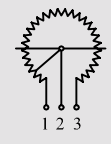
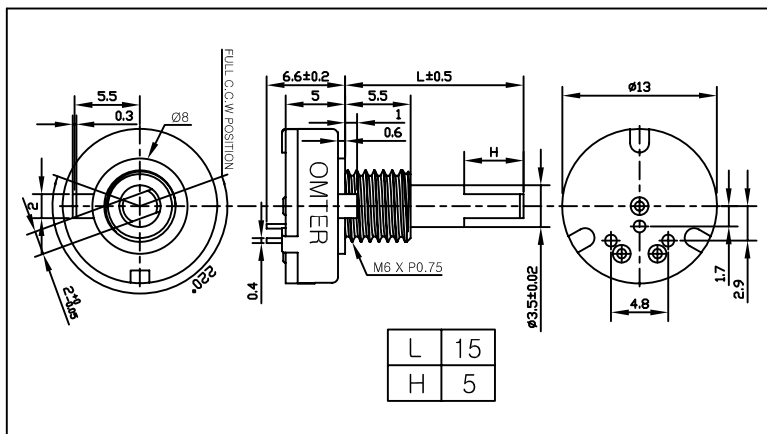


Schematic

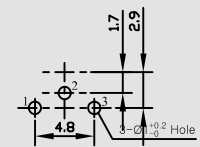


P.C.B layout Dimension

F-131K-5

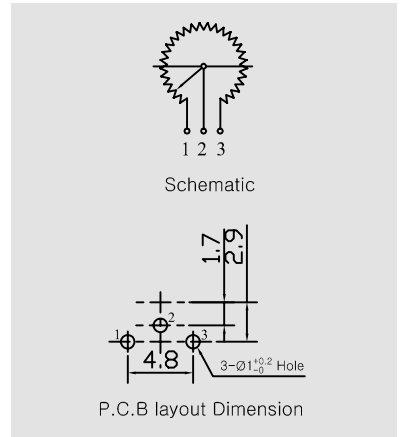
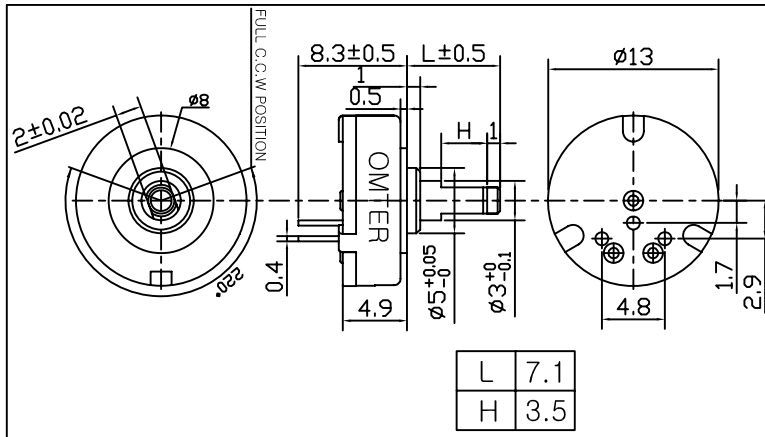


Schematic



P.C.B layout Dimension

F-131K-12



F-131K Series

| MAIN SPECIFICATION | |
|--|--|
| 全阻值: Total Resistance | 1KΩ- 1MΩ |
| 全阻值公差 Total Resistance | ±20% |
| 抵抗变化特性: Resistance Tape | A,B,C,D |
| 最大工作电压: Max. operation voltage | Linear: AC 200V; Other: AC 100V |
| 额定功率: (W) Ratings Power | Linear: 0.1W; Other: 0.04W |
| 杂音: Noise | Less than 100mV |
| 耐电压: Withstanding voltage | 1 minute at AC 500V |
| 绝缘抵抗: Insulation resistance | More than 50MΩat DC 500V |
| 残留阻值: Residual Resistance Value | Term.1~2: Less than 20Ω |
| | Term.2~3: Less than 20Ω |
| 同步误差: Gang Error | -40dB~0dB±3dB |
| MECHANICAL | |
| 全回转角度: Total Rotation Angle | 220±5(degree) |
| 旋转力矩: Rotation Torque | 10~100 gf.cm |
| 旋转止动强度: Shaft Stop Strength | 3.0Kgf.cm Min |
| 推拉强度: push-pull strength | 5.0 kef Min |
| Durable performance | |
| 旋转寿命: Rotational life | 10000Cvycle |