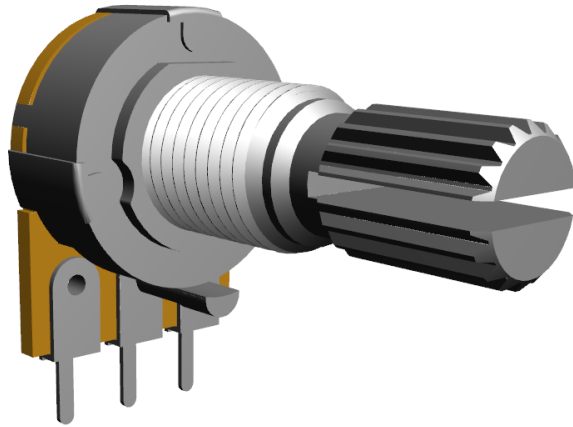


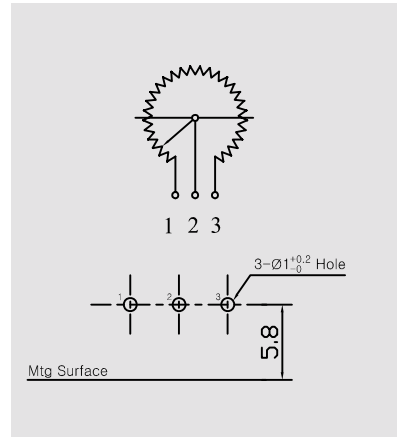
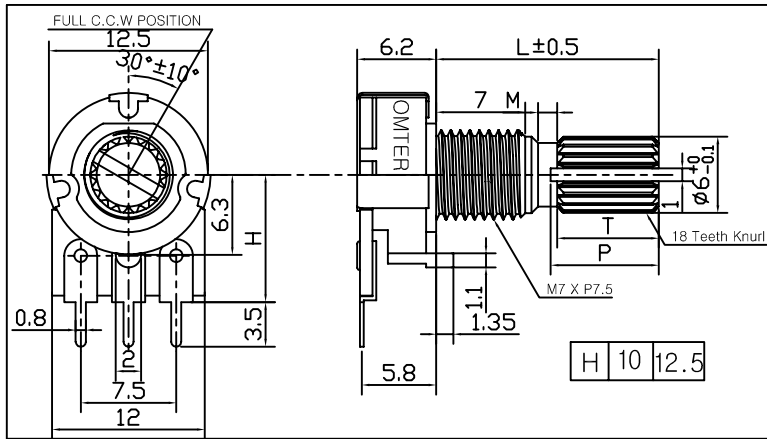
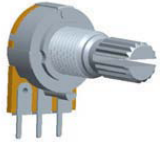
F-121K 系列 金属轴旋转型电位器
F-121K Series Metal Shaft Rotary POT.



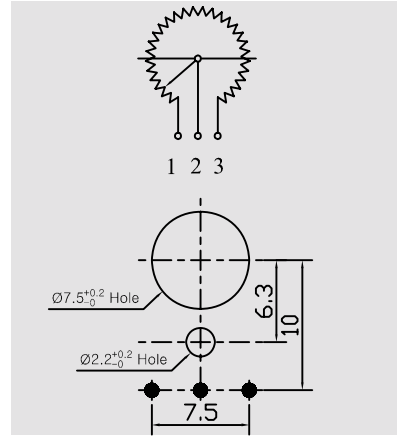
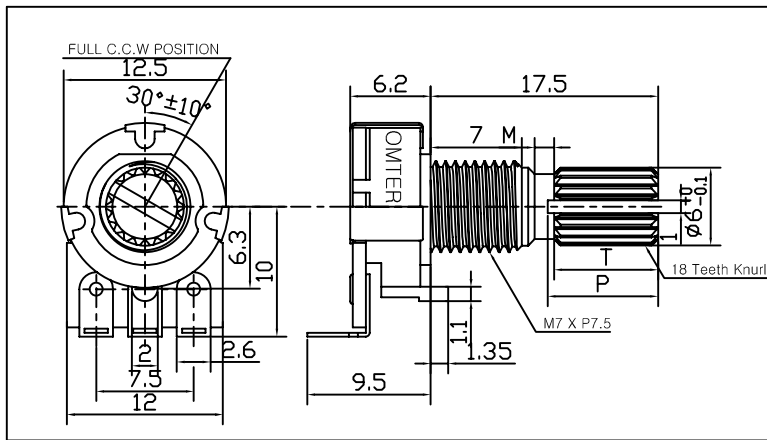
轴的类型 Shaft Style

<p>F Shaft Style</p> <table border="1" data-bbox="236 1505 427 1585"> <tr> <td>L1</td> <td>8.5</td> <td>13.5</td> <td>18.5</td> </tr> <tr> <td>A</td> <td>7</td> <td>12</td> <td>12</td> </tr> <tr> <td>L</td> <td>15</td> <td>20</td> <td>20</td> </tr> </table>	L1	8.5	13.5	18.5	A	7	12	12	L	15	20	20	<p>KD Shaft Style</p> <p>18 Teeth Knurl 锌合金</p> <table border="1" data-bbox="689 1536 928 1594"> <tr> <td>L1</td> <td>3.5</td> <td>8.5</td> <td>13.5</td> <td>18.5</td> </tr> <tr> <td>L</td> <td>10</td> <td>15</td> <td>20</td> <td>25</td> </tr> </table>	L1	3.5	8.5	13.5	18.5	L	10	15	20	25	<p>KQ Shaft Style</p> <p>18 Teeth Knurl 铝合金</p> <table border="1" data-bbox="1040 1536 1469 1615"> <tr> <td>T</td> <td>2.3</td> <td>3.5</td> <td>6</td> <td>7</td> <td>8</td> <td>9.9</td> <td>12.1</td> <td>12</td> </tr> <tr> <td>M</td> <td>0.3</td> <td>0.5</td> <td>1</td> <td>1.5</td> <td>1.5</td> <td>1.5</td> <td>2</td> <td>2</td> </tr> <tr> <td>L</td> <td>10</td> <td>12</td> <td>15</td> <td>17</td> <td>18</td> <td>20</td> <td>25</td> <td>30</td> </tr> </table>	T	2.3	3.5	6	7	8	9.9	12.1	12	M	0.3	0.5	1	1.5	1.5	1.5	2	2	L	10	12	15	17	18	20	25	30
L1	8.5	13.5	18.5																																																
A	7	12	12																																																
L	15	20	20																																																
L1	3.5	8.5	13.5	18.5																																															
L	10	15	20	25																																															
T	2.3	3.5	6	7	8	9.9	12.1	12																																											
M	0.3	0.5	1	1.5	1.5	1.5	2	2																																											
L	10	12	15	17	18	20	25	30																																											
<p>KY Shaft Style</p> <p>18 Teeth Knurl 塑胶轴</p> <table border="1" data-bbox="236 1944 475 2002"> <tr> <td>L1</td> <td>3.5</td> <td>8.5</td> <td>13.5</td> <td>18.5</td> </tr> <tr> <td>L</td> <td>10</td> <td>15</td> <td>20</td> <td>25</td> </tr> </table>	L1	3.5	8.5	13.5	18.5	L	10	15	20	25	<p>S Shaft Style</p> <table border="1" data-bbox="635 1928 970 1986"> <tr> <td>L1</td> <td>3.5</td> <td>8.5</td> <td>13.5</td> <td>18.5</td> <td>23.5</td> <td>33.5</td> </tr> <tr> <td>L</td> <td>10</td> <td>15</td> <td>20</td> <td>25</td> <td>30</td> <td>40</td> </tr> </table>	L1	3.5	8.5	13.5	18.5	23.5	33.5	L	10	15	20	25	30	40	<p>R Shaft Style</p> <table border="1" data-bbox="1088 1928 1423 1986"> <tr> <td>L1</td> <td>3.5</td> <td>8.5</td> <td>13.5</td> <td>18.5</td> <td>23.5</td> <td>33.5</td> </tr> <tr> <td>L</td> <td>10</td> <td>15</td> <td>20</td> <td>25</td> <td>30</td> <td>40</td> </tr> </table>	L1	3.5	8.5	13.5	18.5	23.5	33.5	L	10	15	20	25	30	40											
L1	3.5	8.5	13.5	18.5																																															
L	10	15	20	25																																															
L1	3.5	8.5	13.5	18.5	23.5	33.5																																													
L	10	15	20	25	30	40																																													
L1	3.5	8.5	13.5	18.5	23.5	33.5																																													
L	10	15	20	25	30	40																																													

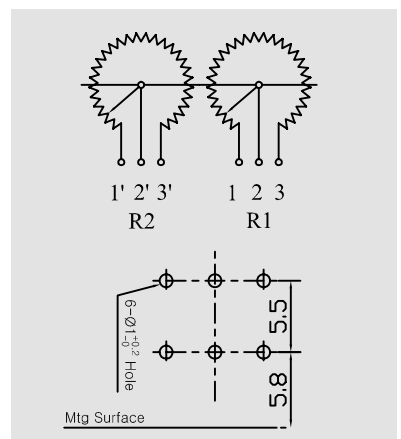
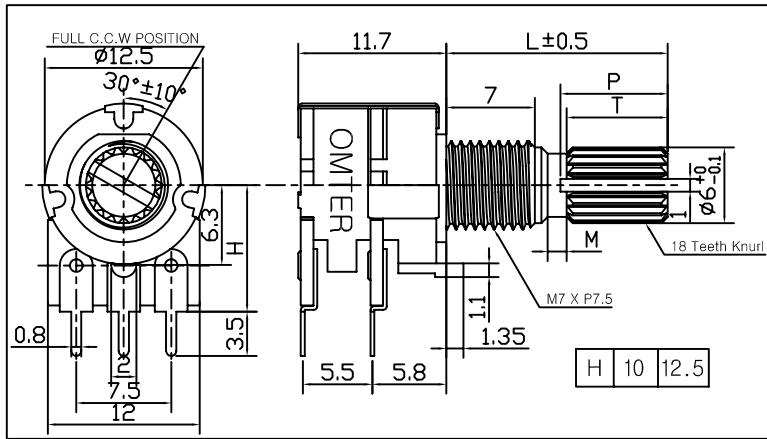
F-121K



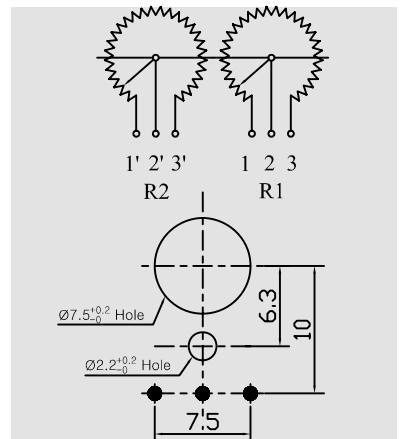
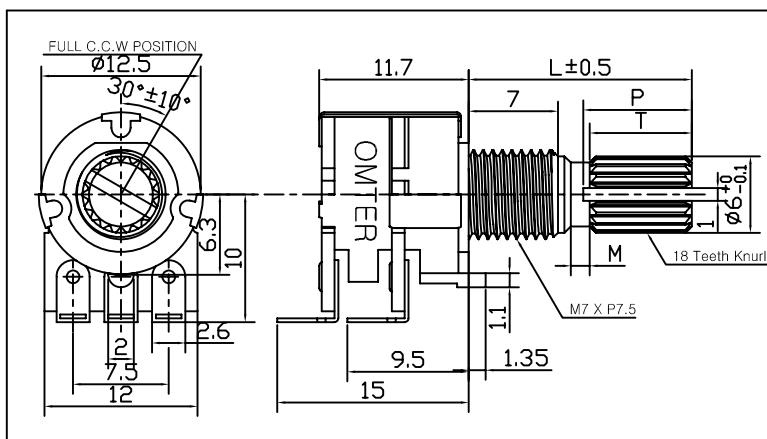
F-121KP



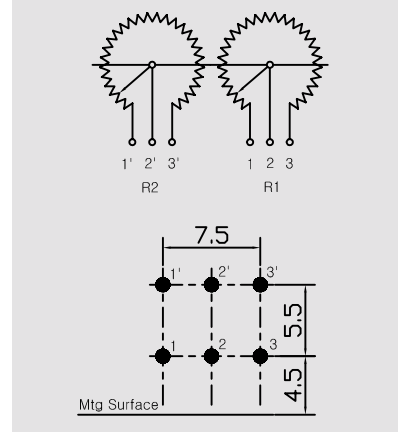
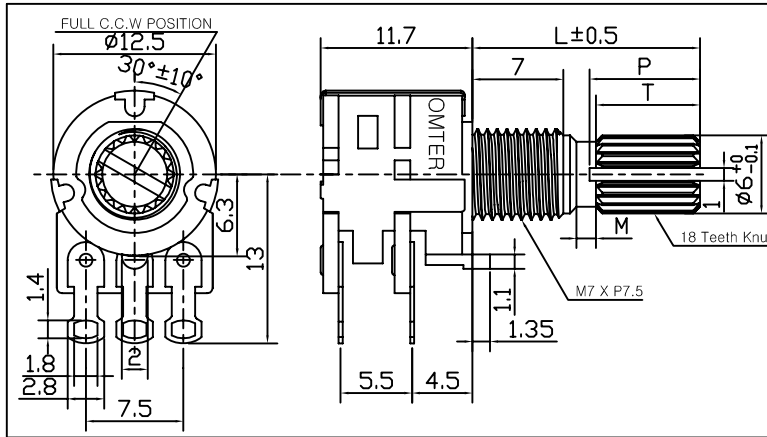
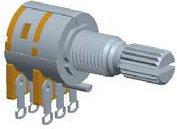
F-121KG



F-121KGP



F-121KGP1



F-121K series

MAIN SPECIFICATION	
全阻值: Total Resistance	500Ω- 500KΩ
全阻值公差 Total Resistance tolerance:	±20%
抵抗变化特性: Resistance Tape	A,B,C,D
最大工作电压:Max. operation voltage	AC 50V,DC 20V
额定功率: (W) Ratings Power	Linear B: 0.1W; Other: 0.05W
杂音: Noise	Less than 100mV
耐电压:Withstanding voltage	1 minute at AC 300V
绝缘抵抗:Insulation resistance	More than 100MΩat DC 250V
残留阻值: Residual Resistance Value	Term.1~2: Less than 20Ω Term.2~3: Less than 20Ω
同步误差: Gang Error	-40dB~0dB±3dB
开关接触电阻 Switch Contact Resistance	Less than 50mΩ
开关额定功率 Switch rated power	3.0A at DC 16V,1.0A at AC 125V
MECHANICAL	
全回转角度: Total Rotation Angle	300±10(degree)
旋转力矩: Rotation Torque	20~200 gf.cm
旋转止动强度: Shaft Stop Strength	3.0Kgf.cm Min
推拉强度: push-pull strength	5.0 kgf Min
开关旋转角度 Switch Rotational Angle	35±5(degree)
开关力距 Switch torque	100~350gf.cm
Durable performance	
旋转寿命: Rotational life	10000Cycle