

# Model TSA-OF22

## None-Contact Angle Position Sensor

- ▶ Hall effective
- ▶ Absolute Position
- ▶ Linearity <  $\pm 0.2\%$
- ▶ Long life
- ▶ Single turn
- ▶ Penal Mount



MECHANICAL		
	Mechanical Range	360°, Available for Mechanic stop
	Starting Torque	0.5Ncm
	Max Rotating Speed	120rpm
	Max Permitted Axial Shaft Load	10N
	Max Permitted Radial Shaft Load	10N
	Weight	21g

ELECTRICAL		
	Measuring Range	0 ~ 360°
	Independent Linearity	< $\pm 0.2\%$
	Resolution	12 bit
	Refresh Rate	290 ( $\pm 15$ ) $\mu$ s
	Max. Hysteresis	0.1°
	Max. Repeatability	0.1°
	Supply Voltage	5 ( $\pm 10\%$ ) VDD, Available for other options
	Supply Current	<12mA
	Output Load Analog	10k $\Omega$
	Load Output Capacity	10 to 330nF

ENVIRONMENTAL		
	Protection Class	IP54/65
	Min. Life	10 millions Turns
	Operation Temperature Range	-40°C ~ +150°C
	Storage Temperature	-40°C ~ +85°C
	IEC 68-2-6 Vibration (Amax = 0.75mm, f = 5 ... 2000 Hz)	20g

CE-CONFORMITY	
	RF noise field strength EN 55011, class B
	ESD EN 61000-4-2
	Radiated immunity EN 61000-4-3
	Burst EN 61000-4-4
	Conducted disturbances induced by RF fields EN 61000-4-6



ORDERING INFORMATION

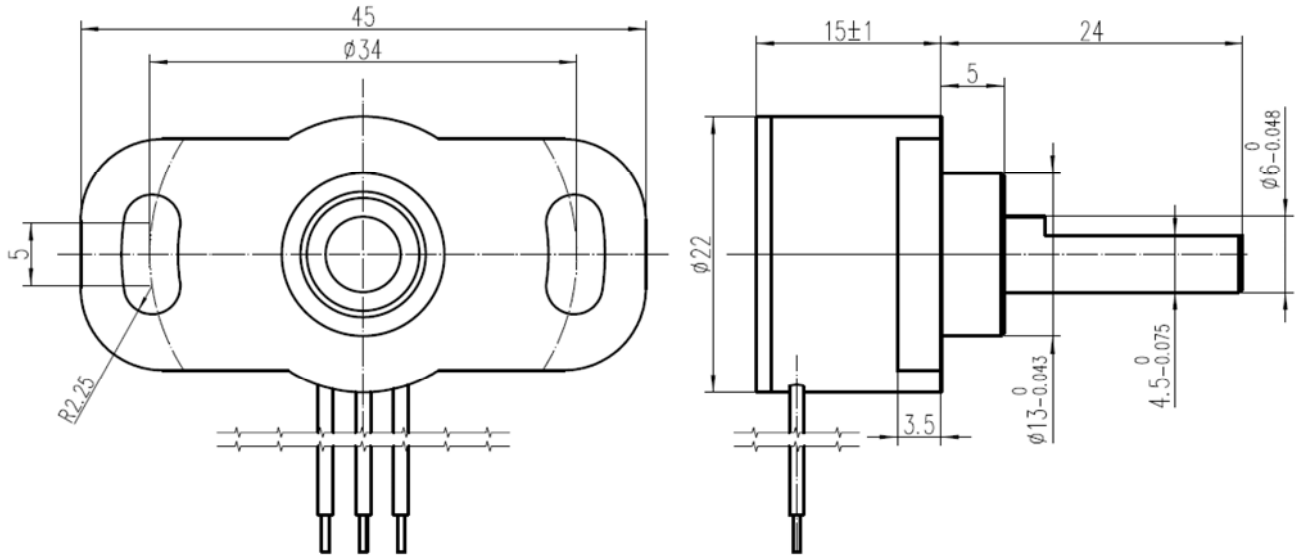
<p><b>Effective Electronic Travel</b></p> <p><b>300</b> Standard 300°, Mechanic Travel 360°</p> <p><b>235</b> Standard 235°, Mechanic Travel 360°</p> <p><b>XXX</b> Optional Available for other Angle Request</p>	<p><b>Shaft Type</b></p> <p><b>D</b> Standard D Type</p> <p><b>I</b> Optional I Type</p> <p><b>R</b> Optional Round Type</p> <p><b>X</b> Optional Customized are avail</p>
<p><b>Shaft Length</b></p> <p><b>1</b> Standard 24mm</p> <p><b>2</b> Standard 16mm</p> <p><b>X</b> Optional Customized are avail</p>	<p><b>Operation Temperature</b></p> <p><b>E</b> Standard -40°C ~ +85°C</p> <p><b>K</b> Standard -40°C ~ +125°C</p> <p><b>L</b> Optional -40°C ~ +150°C</p>

TSA 22    **1**    **1**    **1**    **3**    **0**    **0**    **D**    **1**    **E**

<p><b>Output Signal</b></p> <p><b>1</b> Standard 10% - 90%</p> <p><b>2</b> Standard 0% - 100%</p> <p><b>3</b> Optional 4 - 20 mA</p> <p><b>X</b> Optional X% - Y%</p>	<p><b>Input Voltage</b></p> <p><b>1</b> Standard 5V DC</p> <p><b>2</b> Optional 10V DC</p> <p><b>3</b> Optional 12V DC</p> <p><b>4</b> Optional 24V DC</p> <p><b>X</b> Optional Available for other Request</p>
<p><b>Output Characteristic</b></p> <p><b>1</b> Standard Positive gradient CW</p> <p><b>2</b> Standard Positive gradient CCW</p> <p><b>X</b> Optional Available for other Request</p>	

OUTLINE DRAWING



ACCESSORY

Lock Nut	x2
Screw	x2
Cable	