

## 单轴操纵杆 OMC100系列 (拇指推杆) Single-axis thumb joystick OMC100 series (thumb joystick)

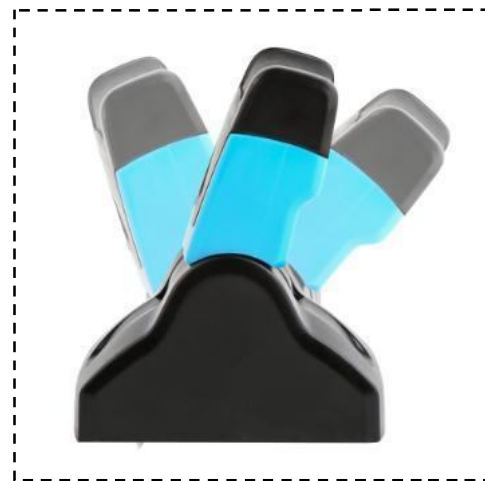


OMC100系列单轴操纵杆。采用德国进口霍尔传感器，全温度范围线性补偿，多点线性度校正，运动部件与传感器非接触，寿命长。适用于工程机械、液压控制等领域。

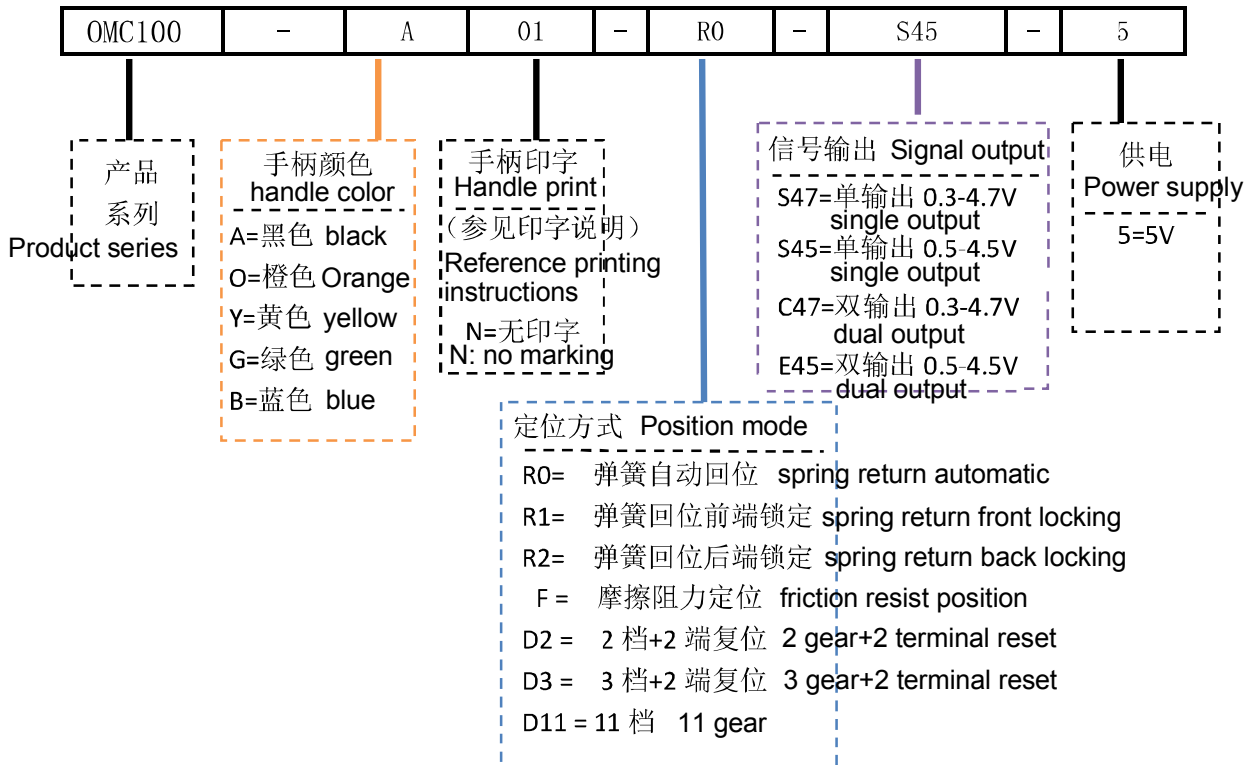
OMC100 series single-axis joystick. It adopts Hall sensor imported from Germany, linear compensation in full temperature range, multi-point linearity correct, moving parts and sensor are non-contact and long life.

特性:

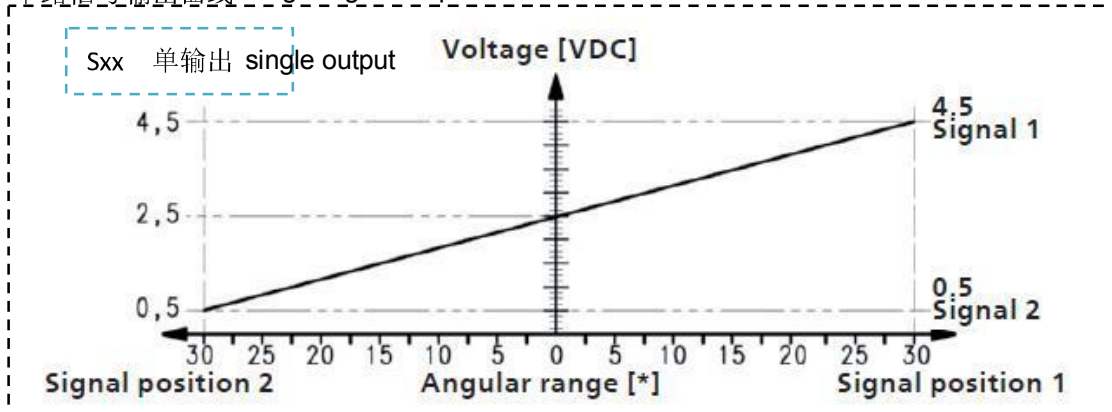
- |  |  |
|--|--|
| ● 轴数：1轴，霍尔传感器                            | Number of axes: 1 axis, Hall sensor  |
| ● 定位方式：弹簧自动回位和多种档位                       | Positioning method: Spring automatically return and more gear                      |
| ● 操作角度：±30度(60度)                         | Operating angle: ±30 degrees (60 degrees)  |
| ● 供电：DC5V (12MA)                         | Power supply: DC5V (12MA)  |
| ● 信号输出：模拟电压 0.5-4.5V (0-5V 之间，工厂可编程信号输出) | Signal output: analog voltage 0.5-4.5V (0-5V signal output can be made by factory) |
| ● 回位精度：小于 0.3%                           | Return accuracy: less than 0.3%  |
| ● 寿命：大于 1000 万次;                         | Life: more than 10 million times;  |
| ● 操作温度：-40℃ ~ +70℃ IP66 防护               | Operating temperature: -40 ° C ~ +70 ° C IP66 protection                           |



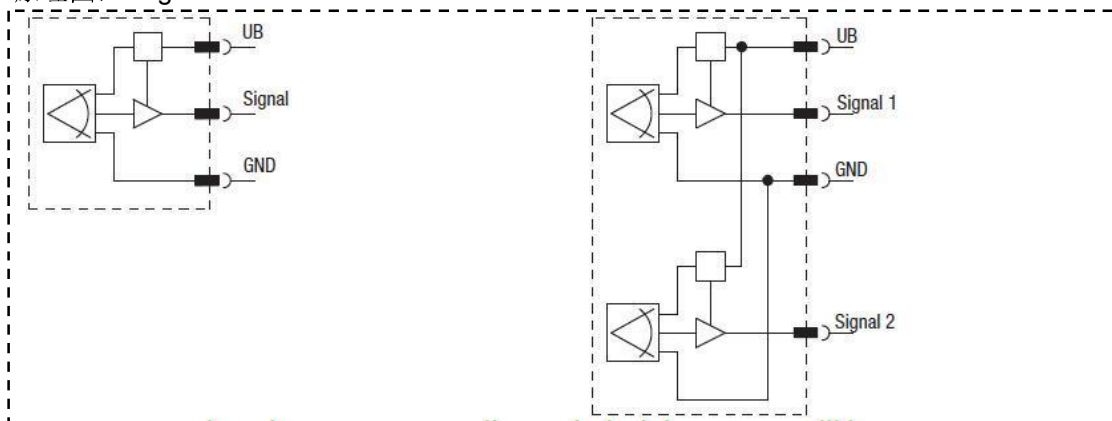
产品命名规则: product selection:



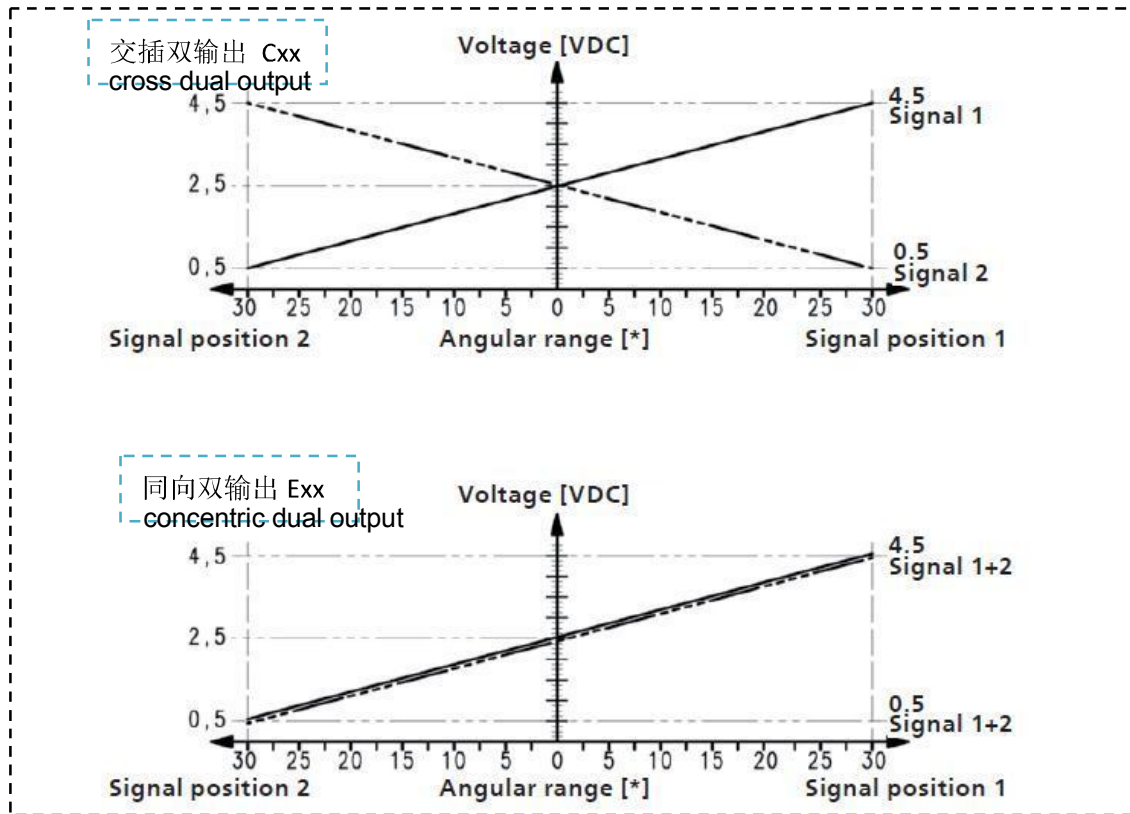
单路信号输出曲线 Single signal output curve



原理图: Diagram:



双路信号输出曲线 Dual signal output curve



**输出引线: Output wiring:**

引线长度: 18CM Wiring length :18cm

Wiring color	符号 symbol	说明 description
红色 Red	+5V	电源正 +5V Power positive +5V
黑色 Black	GND	电源负 GND Power negative GND
黄色 Yellow	Out1	信号输出 1 Signal output 1
绿色 Green	Out2	信号输出 2 (只有双输出型号才有) Signal output 2 (only in dual output model)

结构尺寸图: Drawing:

